

Innovation ♦ Teamwork ♦ Excellence



LED Street/Parking Garage Lighting Specifications

WHY GO LED?

Light Emitting Diode, more commonly known as "LED", represents the cutting edge of lighting technology. LEDs operate on a totally different concept than traditional incandescent style lights. Instead of using a brittle metal filament that is susceptible to shock and vibration, LEDs are solid-state devices with no moving parts utilizing an electronic chip that is encapsulated in an epoxy substrate. This design provides increased durability and a protective seal against outside or foreign elements.

LEDs are not new technology, as they have been used in industrial and commercial applications for over 20 years. They were just not bright enough for outdoor – until now. The challenge with traditional HID and even newer MV fixtures is high energy consumption, frequent maintenance, sometimes very poor light quality, and dangerous materials (like mercury).

The next evolution of LED is ZON LED's™ Planar Style LED Array Chips, an array of LEDs consolidated onto a single light emitting chip. Coupled with the proper drivers, heat dissipating fixtures and other ZON LED™ patented fixture technologies, the ZON LED™ Gen IV lights represent the brightest LED Light Fixtures on the planet. Further, they produce a much wider spectrum of light than conventional lighting alternatives (6,000-7,500° K), and even most Gen III LEDs. As a result, the perceived light emitted from ZON LED™ fixtures is much higher than conventional counterparts, and is much easier on human eyes.

WHAT ARE THE BENEFITS OF ZON LED AND LED LIGHTING?

ZON LED's Gen IV LED fixture Retrofit's and High Bay Lighting Fixtures provide a direct replacement for 'Conventional' High Bay HID, Fluorescent, and they excel in virtually every way.

- **Life** – ZON LEDs are guaranteed for Five years (almost 50,000 hours of continuous use) with life rating of up to 100,000 hours. Passive cooling means no moving parts and extended life. Power supplies carry a Three year warranty.
- **Consistent Performance** – ZON LEDs have no appreciable decline in output over the life of the bulb compared to some HIDs which can suffer from 60% or more depreciation in output over their life.
- **Energy Savings** – In proper replacement applications, ZON LEDs save up to 70% over HIDs and 50% over fluorescent lighting. They also run cooler than traditional fixture types, reducing air conditioner loads (the cost of electricity has gone up an average of 6.7% a year since 1970).
- **Better Quality Light** – ZON LEDs are rated at 6,000-7,500 degrees Kelvin, very close to daylight spectrum, with no UV pollution. They are healthier for the eyes than other lighting, create better visibility, and have been noted to improve employee efficiency and safety.
- **Scotopically Enhanced** – Traditional lighting output is measured in photopic output. However, scotopic output has more bearing on the effectiveness of lighting. Higher scotopic output means that a lower power ZON LED can be used to replace much higher lumen output lights of other types.
- **Safe / Rugged / Quiet** – ZON LEDs use low voltage, contain no mercury or lead, and have no filament to break or casings to explode. They are resistant to heat, cold and shock. They produce no flicker, no buzz, and output no UV or infrared radiation.
- **Green** – ZON LEDs are among the greenest lighting on the planet, produced without hazardous materials, and contributing to some of the largest green house gas reductions of any lighting available.



10'6" x 36' billboard utilizing ZON LED™ inside Holophane Panel-Vue™ fixtures

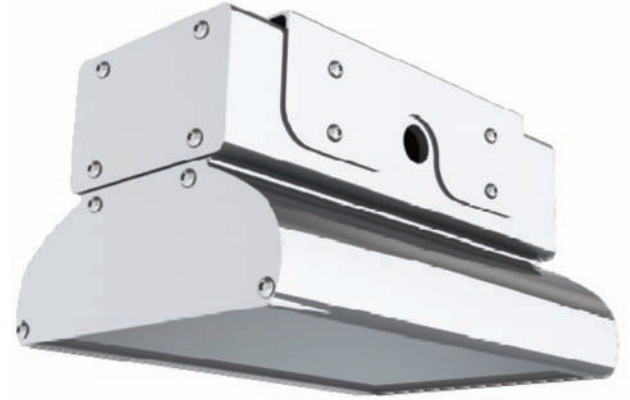
ZONPS1000-50 Parking Structure LED Light



BETTER EFFICIENCY AND COST-SAVINGS...

The ZONPS1000-50 LED Lighting System from ZON LED delivers maintenance-free interior and exterior lighting for parking structures, exterior building lighting, storage areas, and low bay lighting applications.

All of our Gen IV LED Fixtures offer the same longevity, extraordinary cost and energy savings, environmental benefits, health benefits, and application benefits as our other LED products. Visit irvintechnologies.com for more information or to view our entire LED lighting product line.



FIXTURE SPECIFICATIONS

- ▲ Heat Sink: Aluminum - 6500cm²
- ▲ Reflector: Aluminum High Gloss Finish
- ▲ Options: SafetyGlow
- ▲ Electrical Connections: 110—240 Vac
- ▲ Fixture Weight: 6.8 kg / 15.0lbs
- ▲ Mounting: 4 Hex Head Swivel Lock Mount
- ▲ Dimensions: 14(Round) x 3.5(H) inches
- ▲ Warranty: Planar LED: 5 Years
- ▲ Power Supply: 3 Years
- ▲ Fixture: 10 Year
- ▲ R.O.I (return on investment) in as little as 12-24 months
- ▲ Qualifies for high rebates and tax benefits

LAMP SPECIFICATIONS

- ▲ ZON LED's Gen IV LED: 50W LED
- ▲ Operating Temperature: -30°C ~ +60°C
- ▲ Average Photopic Lumens: 4,000
- ▲ Average Scotopic Lumens: 8,160
- ▲ Emission Angle: 75% @ 120°
- ▲ Color: White - 7,000°~8,500°K
- ▲ Average Ambient Operating Temp: 55°C

POWER SPECIFICATIONS

- ▲ Universal AC input/full range (up to 280VAC without an additional transformer)
- ▲ Protections: Short circuit/overload/over voltage/over temperature
- ▲ Built in active PFC (Power Factor Correction) function
- ▲ Cooling by free air convection (no moving parts)
- ▲ IP65 rated
- ▲ Output Line regulation: +/- 0.5%
- ▲ Load regulation: +/- 0.5%
- ▲ Rated Power:150W Input Voltage: 90-280VAC
- ▲ Frequency range: 47-63Hz
- ▲ Power factor: PF>=0.95/230VAC PF>=0.98/115VAC at full load
- ▲ AC current: 2A (115VAC) 1A (240VAC)
- ▲ Leakage current: <1mA/240VAC
- ▲ Power Consumption:105W
- ▲ Working Temp: -30 ~ +55°C @ full load
- ▲ Working Humidity: 20 - 05% RH noncondensing



ZONRF1050-50 Sidewalk LED Light



BETTER EFFICIENCY AND COST-SAVINGS...

The ZONRF1050-50 LED Lighting System from ZON LED delivers maintenance-free interior and exterior lighting for parking structures, exterior building lighting, storage areas, and walkway applications.

All of our Gen IV LED Fixtures offer the same longevity, extraordinary cost and energy savings, environmental benefits, health benefits, and application benefits as our other LED products. Visit irvintechnologies.com for more information or to view our entire LED lighting product line.

FIXTURE SPECIFICATIONS

- ▲ Heat Sink: Aluminum - 6500cm²
- ▲ Reflector: Aluminum High Gloss Finish
- ▲ Options: SafteyGlow
- ▲ Electrical Connections: 110—240 Vac
- ▲ Fixture Weight: 6.8 kg / 15.0lbs
- ▲ Mounting: 4 Hex Head Swivel Lock Mount
- ▲ Dimensions: 14(Round) x 3.5(H) inches
- ▲ Warranty: Planar LED: 5 Years
- ▲ Power Supply: 3 Years
- ▲ Fixture: 10 Year
- ▲ R.O.I (return on investment) in as little as 12-24 months
- ▲ Qualifies for high rebates and tax benefits

LAMP SPECIFICATIONS

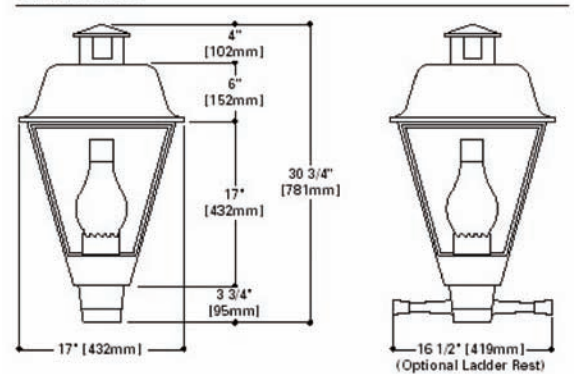
- ▲ ZON LED's Gen IV LED: 50W LED
- ▲ Operating Temperature: -30°C ~ +60°C
- ▲ Average Photopic Lumens: 4,000
- ▲ Average Scotopic Lumens: 8,160
- ▲ Emission Angle: 75° @ 120°
- ▲ Color: White - 7,000°~8,500°K
- ▲ Average Ambient Operating Temp: 55°C

POWER SPECIFICATIONS

- ▲ Universal AC input/full range (up to 280VAC without an additional transformer)
- ▲ Protections: Short circuit/overload/over voltage/over temperature
- ▲ Built in active PFC (Power Factor Correction) function
- ▲ Cooling by free air convection (no moving parts)
- ▲ IP65 rated
- ▲ Output Line regulation: +/- 0.5%
- ▲ Load regulation: +/- 0.5%
- ▲ Rated Power:150W Input Voltage: 90-280VAC
- ▲ Frequency range: 47-63Hz
- ▲ Power factor: PF>=0.95/230VAC PF>=0.98/115VAC at full load
- ▲ AC current: 2A (115VAC) 1A (240VAC)
- ▲ Leakage current: <1mA/240VAC
- ▲ Power Consumption:105W
- ▲ Working Temp: -30 ~ +55°C @ full load
- ▲ Working Humidity: 20 - 05% RH noncondensing



DIMENSIONS



ZONSL1000-100 Streetlight LED Light



BETTER EFFICIENCY AND COST-SAVINGS...

The ZONSL1000-100 LED Lighting System from ZON LED delivers maintenance free exterior lighting for overhead street and walkway applications.

All of our Gen IV LED Fixtures offer the same longevity, extraordinary cost and energy savings, environmental benefits, health benefits, and application benefits as our other LED products. Visit irvintechnologies.com for more information or to view our entire LED lighting product line.



FIXTURE SPECIFICATIONS

- ▲ Heat Sink: Aluminum - 18500cm²
- ▲ Reflector: Aluminum High Gloss Finish
- ▲ Options: SafetyGlow
- ▲ Electrical Connections: 110—240 Vac
- ▲ Fixture Weight: 6.8 kg / 15.0lbs
- ▲ Mounting: 4 Hex Head Swivel Lock Mount
- ▲ Dimensions: 14(Round) x 3.5(H) inches
- ▲ Warranty: Planar LED: 5 Years
- ▲ Power Supply: 3 Years
- ▲ Fixture: 10 Year
- ▲ R.O.I (return on investment) in as little as 12-24 months
- ▲ Qualifies for high rebates and tax benefits

LAMP SPECIFICATIONS

- ▲ ZON LED's Gen IV LED: 100W LED
- ▲ Operating Temperature: -30°C ~ +60°C
- ▲ Average Photopic Lumens: 7,500
- ▲ Average Scotopic Lumens: 15,300
- ▲ Emission Angle: 75% @ 120°
- ▲ Color: White - 7,000°~8,500°K
- ▲ Average Ambient Operating Temp: 55°C

POWER SPECIFICATIONS

- ▲ Universal AC input/full range (up to 280VAC without an additional transformer)
- ▲ Protections: Short circuit/overload/over voltage/over temperature
- ▲ Built in active PFC (Power Factor Correction) function
- ▲ Cooling by free air convection (no moving parts)
- ▲ IP65 rated
- ▲ Output Line regulation: +/- 0.5%
- ▲ Load regulation: +/- 0.5%
- ▲ Rated Power:150W Input Voltage: 90-280VAC
- ▲ Frequency range: 47-63Hz
- ▲ Power factor: PF>=0.95/230VAC PF>=0.98/115VAC at full load
- ▲ AC current: 2A (115VAC) 1A (240VAC)
- ▲ Leakage current: <1mA/240VAC
- ▲ Power Consumption:105W
- ▲ Working Temp: -30 ~ +55°C @ full load
- ▲ Working Humidity: 20 - 05% RH noncondensing



How Much Will You Save?

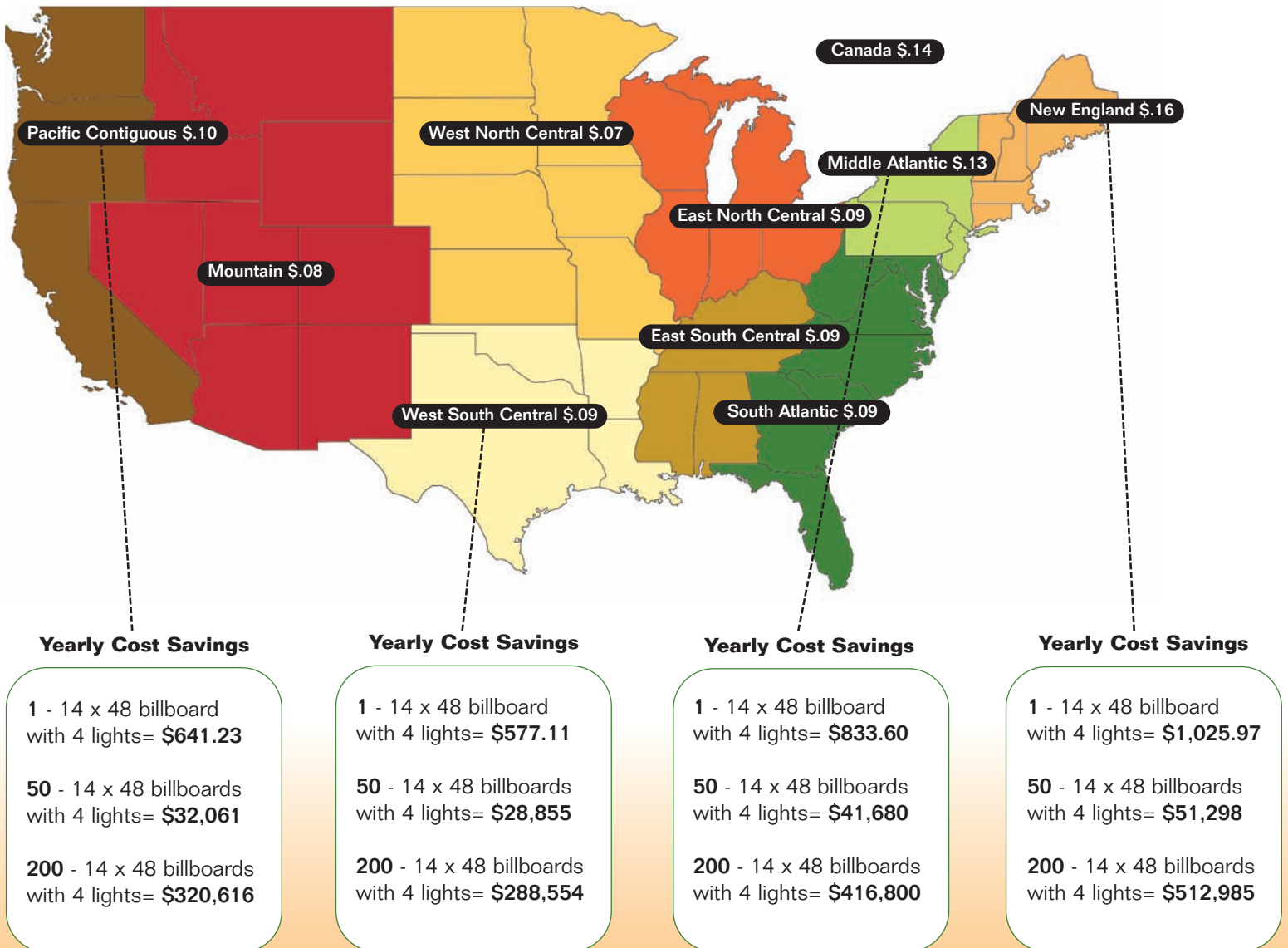
A Lot...

ZON LED's ZONRF1002 produces 15,300 lumens* with a 102 watt maximum power consumption for dramatic energy cost reduction. And, with up to 50,000 hour rated lamp life (10 years at 12/7 operation) means drastically reduced maintenance costs (materials and labor) over the life of the fixture. "Lights out" on high energy usage.

In the New England area, running a single 400-watt metal halide consuming 468 watts for 365 hours (one month 12 hours per day) would cost \$27.33 in electricity alone based on the average retail price of electricity. Because the ZON LED uses only 102 watts, running the light for 365 hours will cost only \$5.96 under the same scenario. In addition, you will no longer spend time or money replacing bulbs (average cost of \$150 per face). In just **one year for one billboard with four fixtures** using ZON LED, **you would save \$1,025.97** on your **electric bill** alone (not counting maintenance and bulb savings). Imagine the savings if every billboard light you owned was using ZON LED technology! Go to www.isioutdoor.com/LEDlighting.asp for more information. To view rebates and incentives for your state, go to www.dsireusa.org

See the chart below to find out the average savings for your part of the country.

Average retail price of electricity are below for each of the main areas of the United States
Data is from the US Energy Information Agency (www.eia.doe.gov)



We are committed to providing you with an elegant solution for projects demanding both style and performance. We guarantee unsurpassed quality by offering:

- Three Year Limited Warranty on LED Driver
- Five Year Limited Warranty on the LED



Limited LED Product and Driver

We warrant to the original purchaser, with proof of purchase, its delivered products should be free from defects in the material and workmanship for up to five years from date of shipment.

We will repair, or at our option, replace the defective product during the standard warranty period. This warranty applies only to the repair or replacement of the product and only when the product is properly handled, installed and maintained according to our instructions.

This warranty excludes defects resulting from improper installation, acts of God, fire, vandalism or civil disturbances. Purchaser must notify us in writing within 60 days of noticing the defect. This warranty excludes field labor or service charges related to the repair or replacement of the product. We reserve the right to change the warranty period without prior notice and without incurring obligation and expressly disclaims all warranties not stated in this limited warranty.

Limited LED Warranty

We warrant to the original purchaser, with proof of purchase, its supplied LEDs for five years from date of shipment. ZON LED will repair, or at our option, replace the defective fixture during the stated warranty period should there be greater than three simultaneous LED failures per fixture.

"Failure" is considered a non-operating LED. This warranty excludes field labor or service charges related to the repair or replacement of the product. We reserve the right to change the warranty period without prior notice and without incurring obligation and expressly disclaims all warranties not stated in this limited warranty.

Limited Finish Warranty

We will warrant to the original purchaser, with proof of purchase, for a period of 10 years from date of shipment. We will repair, or at our option, replace the defective finish if it exhibits cracking, peeling, excessive fading or corrosion defects during the warranty period.

This warranty applies only to the finish and only when the product is properly handled, maintained, installed and exposed to normal environmental conditions. This warranty excludes defects resulting from improper handling, storage, installation, acts of God, fire, vandalism or civil disturbances.

Purchaser must notify us in writing within 60 days of noticing the defect. This warranty excludes field labor or service charges. We reserve the right to change the warranty period without prior notice and without incurring obligation and expressly disclaim all warranties not stated in this limited warranty.

Outstanding LED **Lighting**

www.irvintechnologies.com



Irvin Technologies Inc.
8105 Krauss Blvd
Suite 102
Tampa, FL 33619

Ph: 1-800-474-7846
Local: (813) 664-8945
Fax: (813) 621-6897
Email: info@irvintechnologies.com